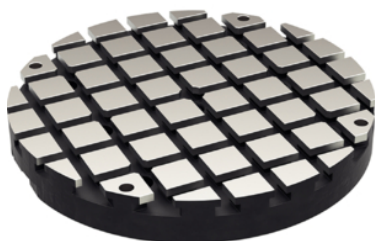


Base Plates EH 1002.100

Product Description



Material

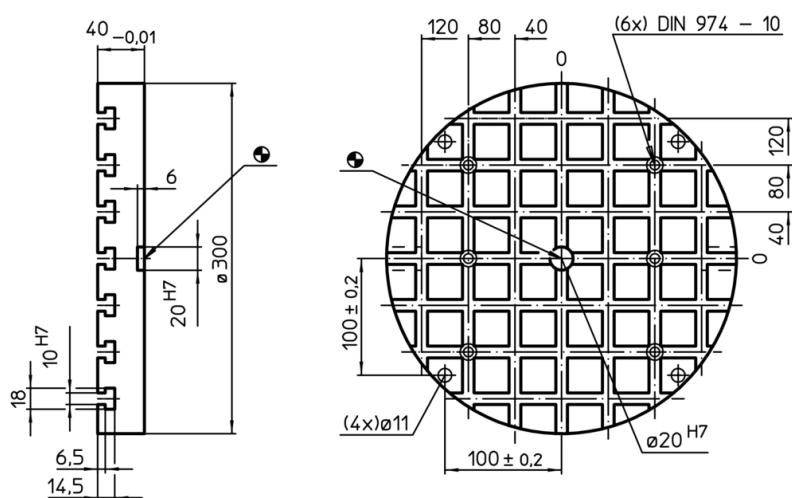
- Steel, hardened, ground

More information


Notes

Special types on request.

Drawing



Order information

System	Dimensions		Number of T-slots	 [kg]	Art. No.
	b_1	d_1			
V40	100	300	7 x 7	15	1002.100

Application example

