

## Ball-Ended Thrust Screws • headless, ball protected against rotating

22700.0583

### Product Description

Ball-ended thrust screws can also be used for clamping, tightening or supporting of non-parallel surfaces.  
The flat-faced, movable ball enables a flat load transmission.



### Material

#### Ball

- Ball-bearing steel, hardened

#### Screw

- Heat-treated steel, 1200 ±100 N/mm<sup>2</sup>

### More information

#### Notes

Ball protected against rotating.  
Special types on request.

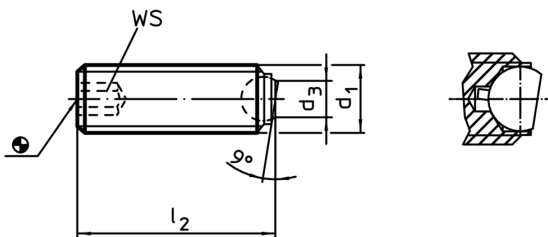
#### References

Thread lock on request, please refer to appendix - Technical Data -

#### Further products

- Ball-Ended Thrust Screws, headless, flat-faced ball
- Ball-Ended Thrust Screws, headless, with fine-pitch thread
- Ball-Ended Thrust Screws, headless, flat-faced ball and hexalobular socket

### Drawing

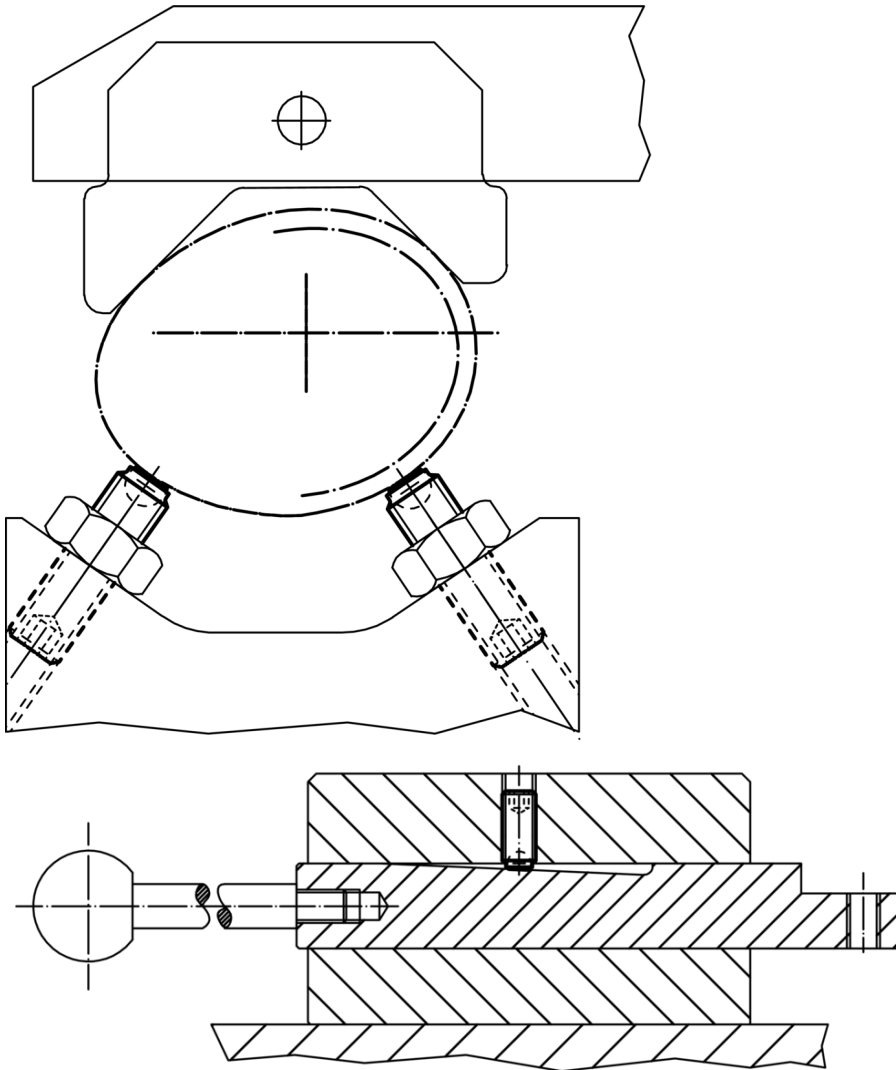


### Order information

d <sub>1</sub>	l <sub>2</sub>	Dimensions d <sub>3</sub> [mm]	ball diameter	WS [mm]	Load capacity for static load <sup>1)</sup> max. [kN]	[g]	Art. No.
flat-faced ball, bearing surface plain, Heat-treated steel							
M8	16	4.5	5.5	4	9	4	22700.0583

<sup>1)</sup> Statements on load capacity are not valid for the stainless steel type.

### Application example



### Compliance

#### RoHS compliant

Contains lead - compliant according to exceptions 6a / 6b / 6c

#### Contains SVHC substances >0,1% w/w

Contains lead - SVHC list [REACH] as of 10.06.2022

#### Contains Proposition 65 substances



Lead can cause cancer and reproductive harm from exposure  
<https://www.P65Warnings.ca.gov/>

#### Free from Conflict Minerals

This product does not contain any substances designated as "conflict minerals" such as tantalum, tin, gold or tungsten from the Democratic Republic of Congo or adjacent countries.