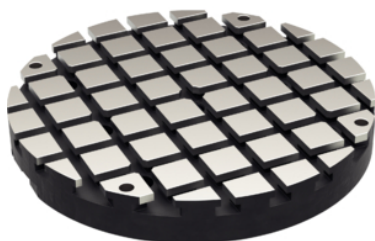


## Base Plates

### 1002.100

#### Product Description



#### Material

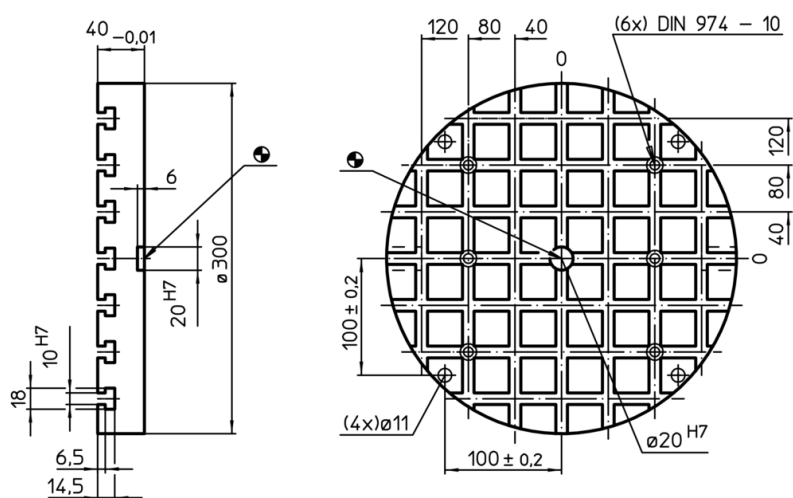
- Steel, hardened, ground

#### More information


#### Notes

Special types on request.

#### Drawing



#### Order information

System	Dimensions		Number of T-slots	 [kg]	Art. No.
	$b_1$	$d_1$			
V40	100	300	7 x 7	15	1002.100

Application example

