

## Clamping Devices "actima"

### 23260.0015



#### Product Description

The compact clamping element can be converted between pull and push clamping strain, depending on the model. The travel path is 10 mm. Within the short clamp travel of 2 mm, self-locking occurs in any position. The maximum permitted clamping force is 4.9 kN.

#### Material

##### Housing

- Thermoplastic, black

##### Body

- Steel, blackened

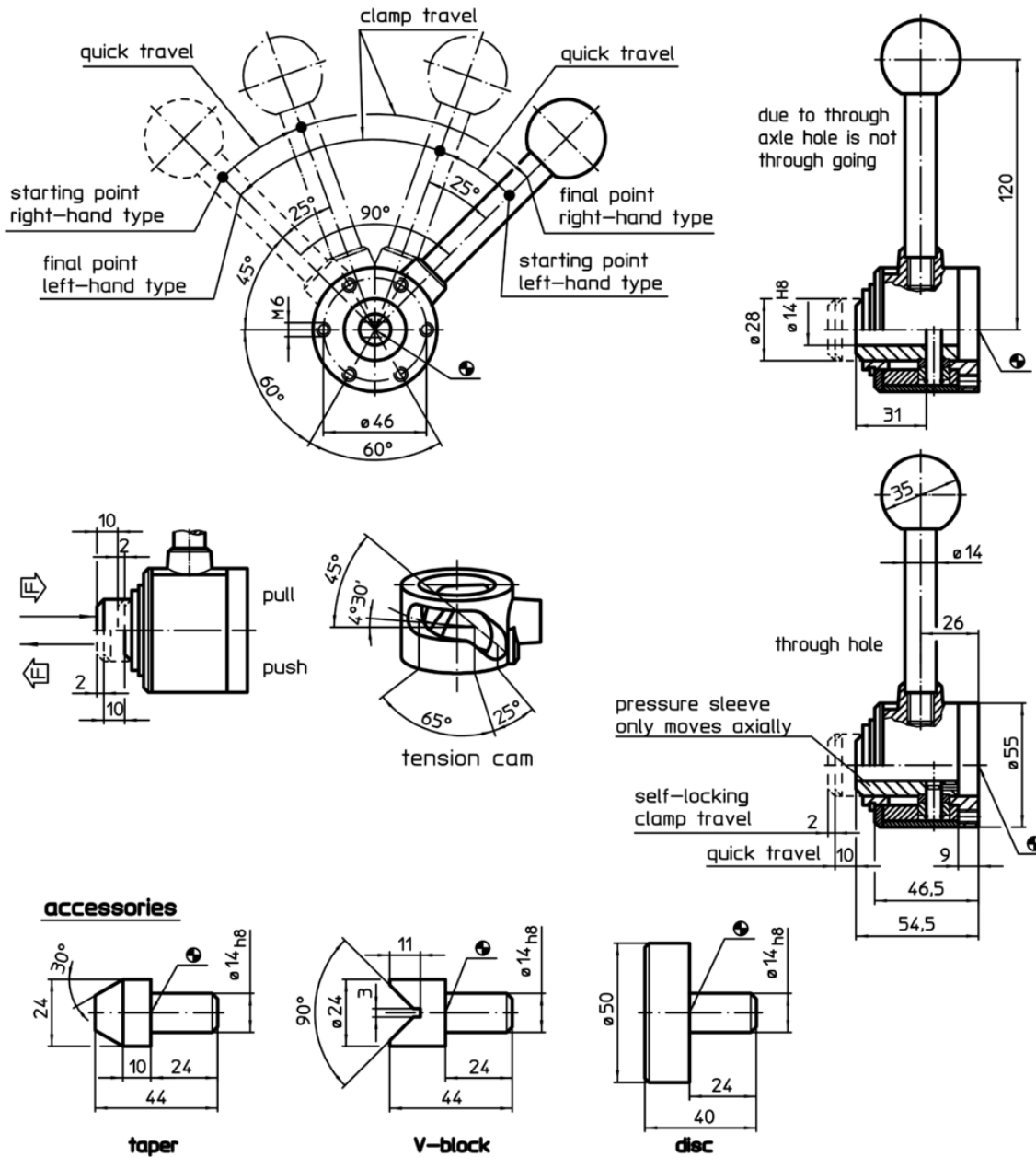
##### Ball knob

- DIN 7708 - thermosetting plastic (PF 31), red similar to RAL 3003


##### Accessories

- Steel, blackened

Drawing



Order information

Travel path [mm]	s Clamping way [mm]	Clamping force max. [kN]	 [g]	RoHS	REACH	Art. No.
pull to left, with throughgoing bore						
10	2	4.9	750	RoHS-compliant	contains no SVHC materials	23260.0015

Accessories

	[g]	RoHS	REACH	Art. No.
disc	270	RoHS-compliant	contains no SVHC materials	23260.0042
taper	85	RoHS-compliant	contains no SVHC materials	23260.0044
V-block	82	RoHS-compliant	contains no SVHC materials	23260.0046

Application example

